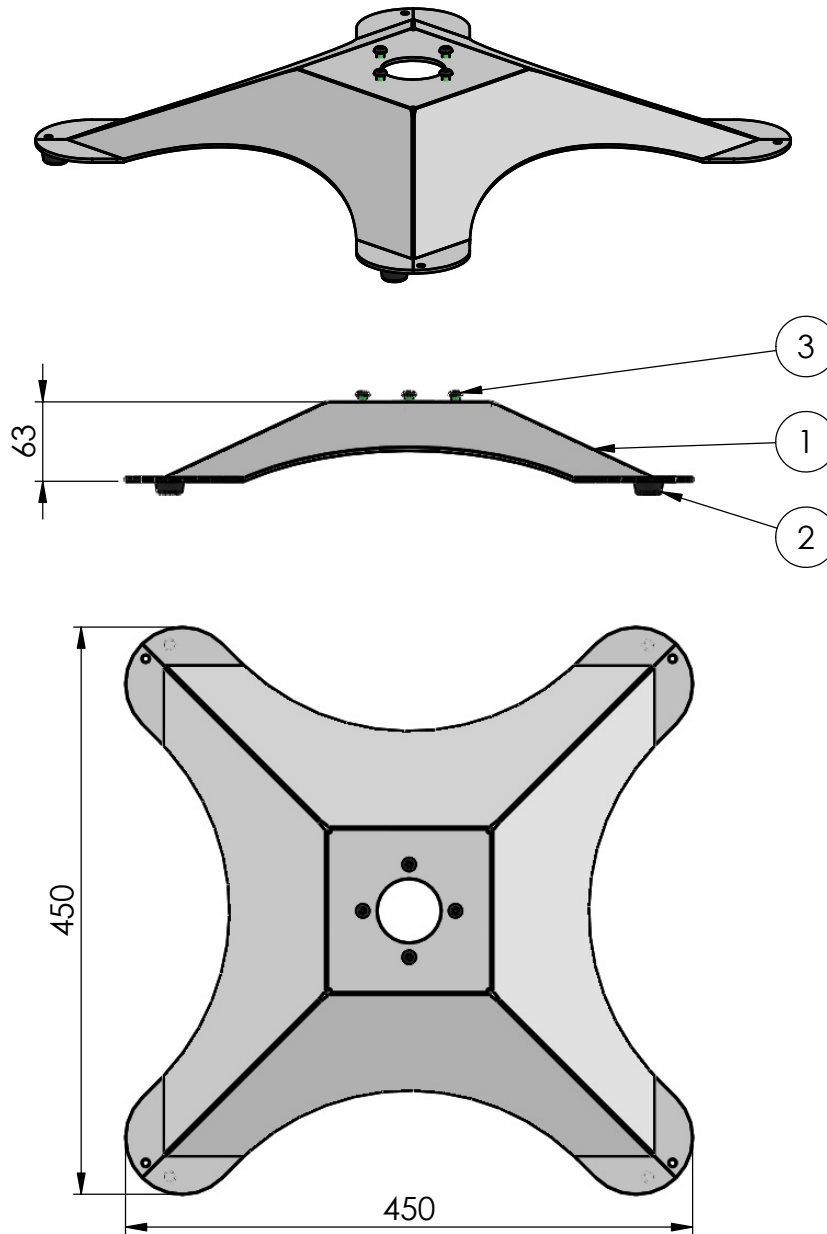

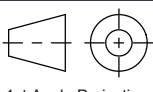


Rev.	Change	Date	Init.
------	--------	------	-------



□ □ □	□ A □ □ □ □ B □ □	□ □ □ □	D □ C □ □ □ □ □ □
1	CB00528U	1	Base plate for free stand
2	M0000-5009-02	4	Self-adhesive rubber feet, 10mm, black
3	M9936-0610-02	4	M6x10mm button headed screw, black

<b>Description</b> Base plate for free stand		<b>Category</b>	<b>Weight</b> 3.24 kg	<b>Revision</b> A
	<b>COPYRIGHT © ERGONOMIC SOLUTIONS 2019</b> <a href="http://www.ergonomic-solutions.net">www.ergonomic-solutions.net</a>		<b>Size: A4</b>	<b>Name</b>
			<b>Drawn</b> pkr	<b>Date</b> 26-03-2019
			<b>Last Update</b> per.krabbe	<b>Date</b> 06-08-2019
Unless otherwise specified tolerances according to ISO 2768-m All dimensions are in millimeters		 1st Angle Projection	<b>Drawing No</b>  <b>CB00528</b>	