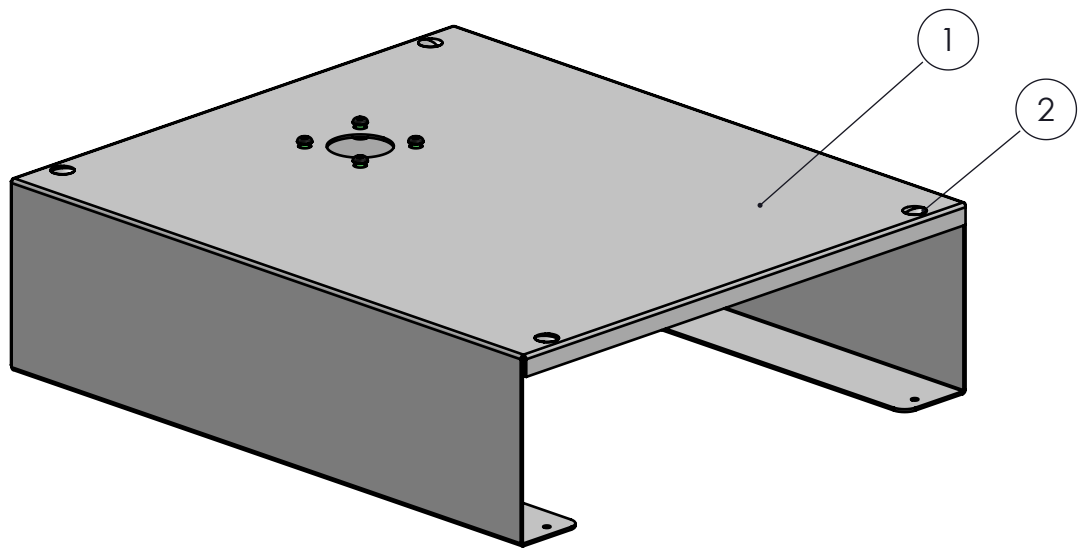



Rev	Change	Date	Int.
-----	--------	------	------



POS	PARTNUMBER	QTY.	DESCRIPTION
1	C4900285U	1	Cashdrawer Quad
2	BN_1064_3422550_cover_cap_S8h	4	
3	M9936-0608-02	4	M6x8mm button headed screw, black
4	M9992-0004	1	4mm Allen key

<b>Description</b> Cashdrawer Quad		<b>Category</b>	<b>Weight</b> 0.00 kg	<b>Revision</b> A
 ergonomic solutions	<b>COPYRIGHT © ERGONOMIC SOLUTIONS 2017</b> <a href="http://www.ergonomic-solutions.net">www.ergonomic-solutions.net</a>		<b>Size: A4</b>	<b>Name</b>
	Unless otherwise specified tolerances according to ISO 2768-m All dimensions are in millimeters		<b>Drawn</b>	Ivh
			<b>Last Update</b>	Ivh
		<b>Drawing No</b>	<b>C4900285</b>	